

SOLUSTAPLE®

STANDARD COMPRESSION STAPLE

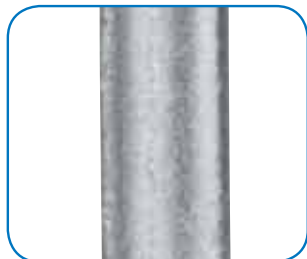


- Functionality - Small Bone Fragment Fixation
- Flexibility - Comprehensive Product Portfolio
- Stability - Stainless Steel Implant

**LOWER
EXTREMITY
SOLUTIONS**

SOLUSTAPLE® COMP

STATIC STAPLE



Diameter: 1 mm

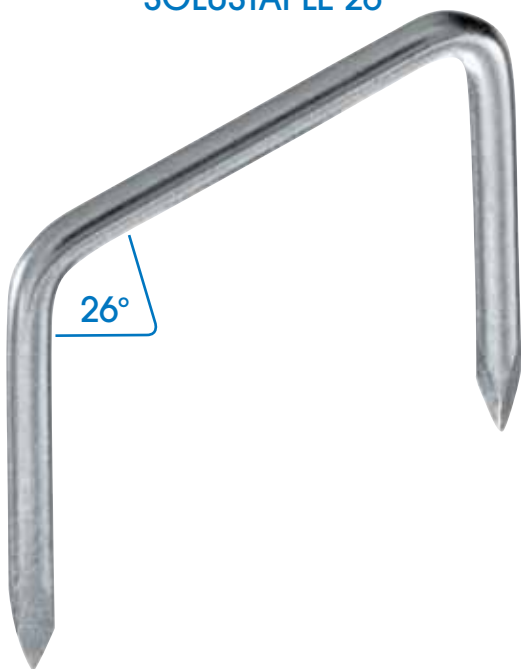


Self-perforating tip



Lot number and reference marking for product traceability

SOLUSTAPLE 26°



SOLUSTAPLE 90°



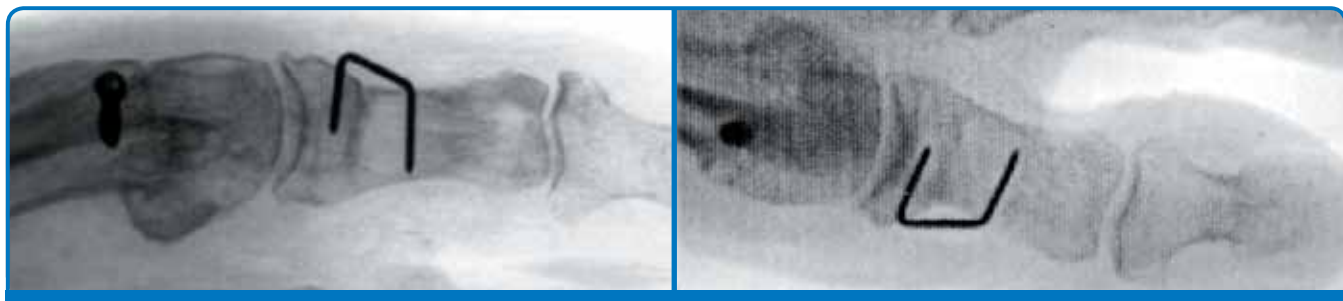
PRESSION STAPLE



Description

Static staple for fixation of the mono-cortical phalangeal osteotomies.

- The use of the Solustaple allows, after treatment of the first ray, to solve a remaining valgus or pronation of the first toe.
- Two types of staples (26° and 90°) are available for optimal adaptation.
- Self-perforating.
- Lot number and reference marking for easier traceability.
- Material: stainless steel
316L ISO 5832-1 ASTM F138 & F139.



INDICATIONS

Wedge osteotomy of the first phalanx, «Akin osteotomy» in the treatment of hallux-valgus in order to correct:

- A remaining valgus or pronation of the first ray.
- An external rotation.
- Wind swept toes.

SOLUSTAPLE®

STANDARD COMPRESSION STAPLE

Solustaple

Reference	Length	Width
114 002ND	Solustaple 90°	8 mm
114 004ND	Solustaple 90°	10 mm
114 023ND	Solustaple 26°	8 mm
114 025ND	Solustaple 26°	10mm

Instrumentation

Reference	Description
119 401ND	90° holder & impactor
119 403ND	26° holder & impactor
119 900ND	Sterilization container



- The products are manufactured and referenced within the frame of the standards in force.
- Implantation procedures are described in the surgical technique.
- Non-contractual document. The manufacturer reserves the right, without prior notice, to modify the products in order to improve their quality.
- WARNING: Federal law (USA) restricts this device to sale by or on the order of a physician.

 **INTEGRA™**
Extremity Reconstruction

Integra LifeSciences Corporation
311 Enterprise Drive • Plainsboro, NJ 08536
800-654-2873 • 609-275-0500 (Outside USA) • 609-275-5363 (Fax)
www.Integra-LS.com

